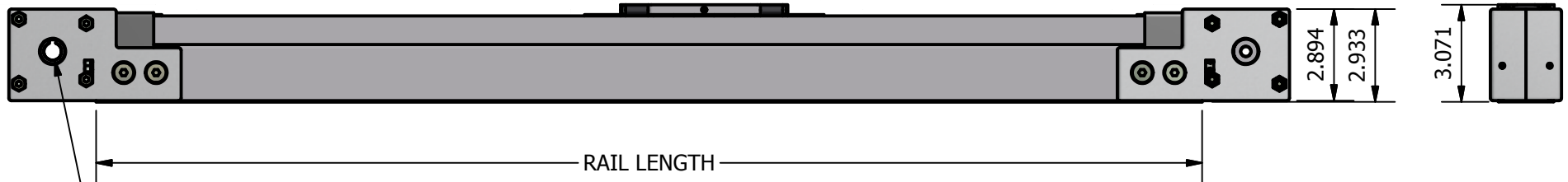
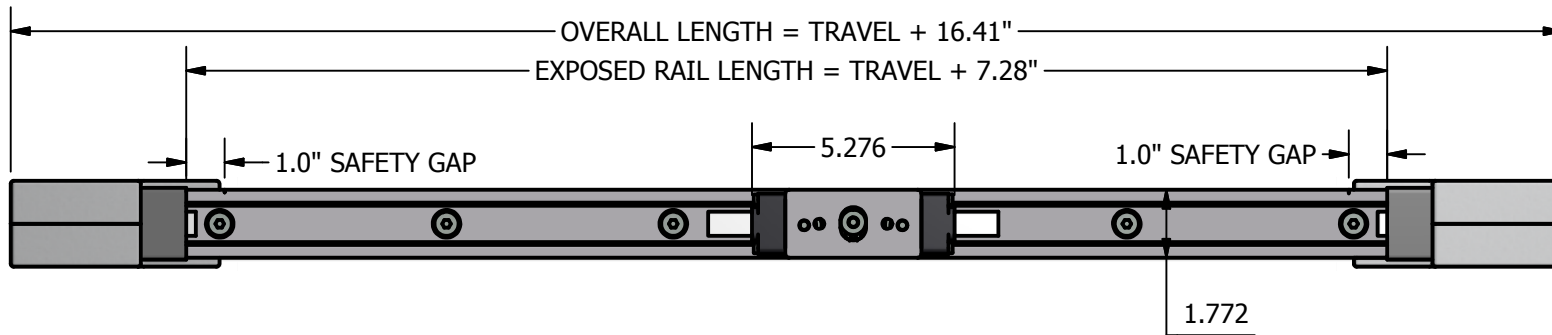


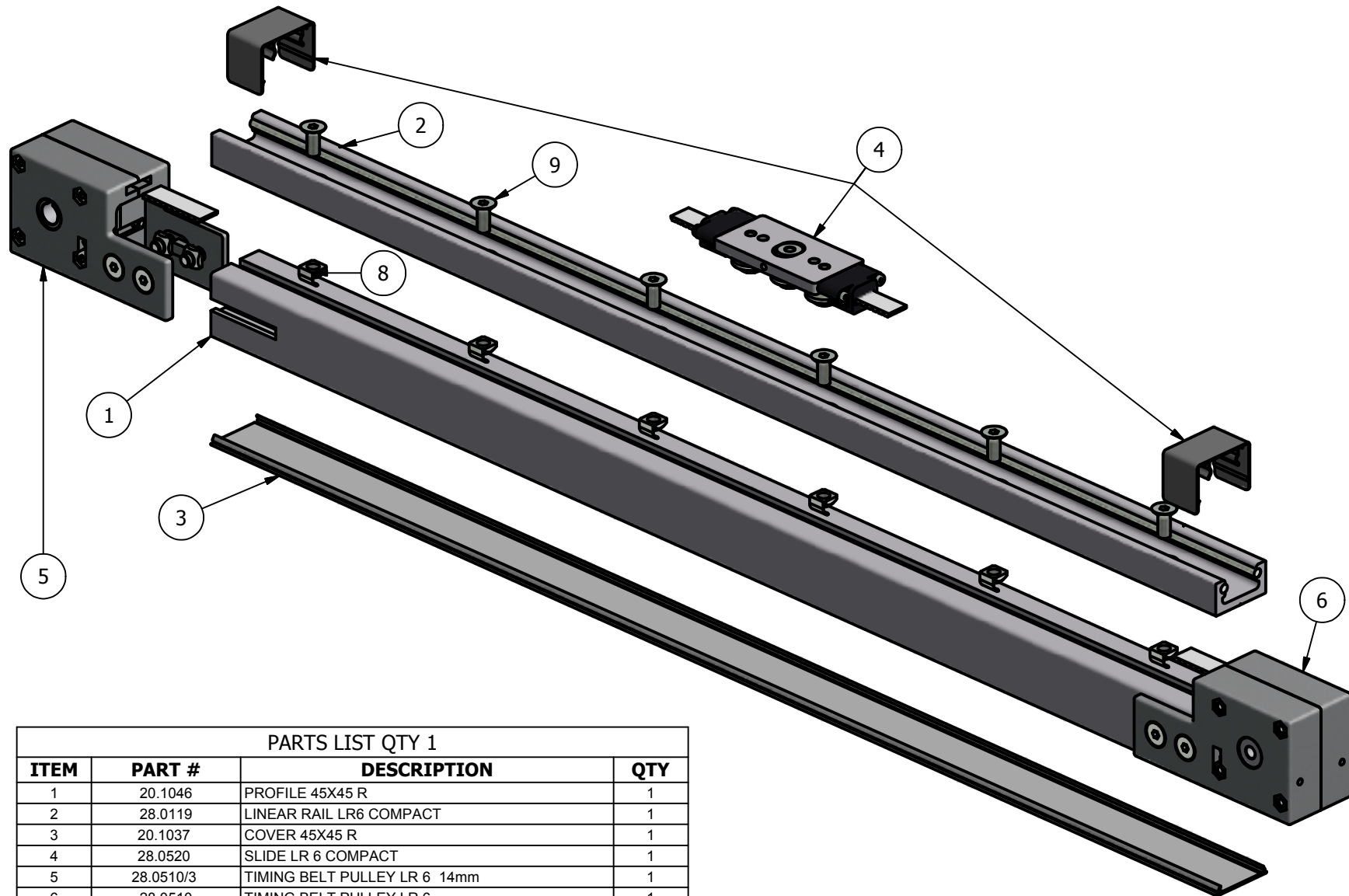


TRAVEL = EXPOSED RAIL LENGTH - SLIDE LENGTH(5.276") - (2* SAFETY GAP) = SPECIFY



DRIVE PULLEY, SPECIFY BORE & KEY SIZE

PROJECT 28.0503 LR 6 Z COMPACT 45			WWW.MINITECFRAMING.COM	
DRAWN BY ANDY MOLES			VICTOR, NY	
DATE 10/3/2016			PH # 585 924-4690	
DRAWN FOR MINITEC'S CUSTOMER		TITLE	DWG NO	REV
		MODULE LR 6 Z COMPACT 45	28.0503	
TOLERANCES UNLESS OTHERWISE NOTED X +/- .125" XX +/- .015" XXX +/- .010"		MATERIAL		
		FINISH		
			SHEET 1 OF 4	



PARTS LIST QTY 1			
ITEM	PART #	DESCRIPTION	QTY
1	20.1046	PROFILE 45X45 R	1
2	28.0119	LINEAR RAIL LR6 COMPACT	1
3	20.1037	COVER 45X45 R	1
4	28.0520	SLIDE LR 6 COMPACT	1
5	28.0510/3	TIMING BELT PULLEY LR 6 14mm	1
6	28.0510	TIMING BELT PULLEY LR 6	1
7	28.0502	TIMING BELT 16 AT 5	4
8	21.1351/2	M8 SQUARE NUT POS FXG	6
9	21.1514	M8x20 C'SUNK	6

PROJECT 28.0503 LR 6 Z COMPACT 45			WWW.MINITECFRAMING.COM VICTOR, NY PH # 585 924-4690 DIRECT 585 398-1240 EXT 104 FX # 585 924-4821 amoles@minitecframing.com	
DRAWN BY ANDY MOLES			DWG NO 28.0503	
DATE 10/3/2016		TITLE MODULE LR 6 Z COMPACT 45		REV
DRAWN FOR MINITEC'S CUSTOMER		MATERIAL		SHEET 2 OF 4
TOLERANCES UNLESS OTHERWISE NOTED .X +/- .12" .XX +/- .015" .XXX +/- .010"		FINISH		